



The all new Teramont





Seats 7. Thrills everyone.

A full life is just that: full. Kids, sports gear, camping equipment, and more. Enter the all new Teramont – the biggest, newest Volkswagen on the block. Seats 7 comfortably in 3 rows, connects everyone with state-of-the-art tech, and goes virtually anywhere, with performance-enhancing features like 4Motion®. All dressed in a level of refinement that's truly exceptional among SUVs. And all exceptionally well priced. Accommodating. Nimble. Polished. Like having your own family concierge. Without having to tip.

Versatility

A chameleon on wheels, the Teramont is ever-changing – just like your life. Mix it up, load it up, and get fired up for serious family fun.

Technology

Welcome to the big picture of Volkswagen's SUV sensibilities. Step into the high-tech environment with the 12 speaker Fender audio system, 8 inch navigation HD touchscreen and App Connect.

Design & Comfort

Big and comfortable come together beautifully in this spacious 7 seater. Seventeen cupholders and easy 3rd row access promise to come in handy for those emergency family outings and picnics that happen so often on the go.

Safety

What's better than an SUV that can do everything? One that's ready for virtually anything. With a multitude of driver and passenger protection features built right in, you can focus on fun knowing Teramont takes your family's safety seriously.

Performance

The bigger you are, the slower you move? Not here. True to its name, the Teramont has plenty of brawn.

Versatility.



Spreading out needn't be a stretch. But you can do that too.

From legroom to 3rd row access, the Teramont changes up to handle it all, and all in a jiffy. Because when you don't have to leave anyone – or anything – behind, you're free to enjoy the adventures that lie ahead.



3-row, 7-passenger seating

In the Teramont, comfort and versatility never take a back seat. Unless you count the adult-sized 3rd row seating – accessible without removing child seats.



Fold-flat cargo space

Is it a refined family-friendly SUV, or a load-it-to-the-max pickup? With 2nd and 3rd row seating that folds completely flat, the answer is a resounding "yes".



Easy 3rd row access

Getting into the 3rd row is so easy, you can do it with one hand. Just fold the 2nd row forward with a pull and a push.



Optional 2nd row captain's chairs

Go from seating for 7 to 6, and gain a world of customizable comfort, with available 2nd row captain's chairs. Passengers can adjust the backrest, armrest, and legroom any way they like it.



Technology.



Getting ahead is all about connections.

Everywhere you go in the Teramont, you're connected. From business to pleasure and back again, plug in to a world of entertainment, convenience, and safety. It's all part of a full complement of electronic innovation to help you experience the magic in every adventure.

App-Connect*

Plug in your compatible smartphone with Apple CarPlay™, Android Auto™ or MirrorLink® to access apps with the dashscreen or voice commands to search, play music, navigate, or send and receive text messages – hands-free.

Discover Media Navigation System

Technology has an advanced touch. The updated navigation system boasts a large, sleek 8 inch HD touchscreen display that offers voice control, proximity sensors, and multiple compatible phone - pairing capabilities.

Personalization: 4 driver profiles

Start up your Teramont and it'll welcome you by name, activating your mirror positions, climate controls, favourite radio station and more. Multiple drivers? Store up to 3 driver preferences, plus a guest – all custom - tailored to suit their unique needs.

*Do not drive while distracted. Drivers must pay full attention to the road and safe driving at all times.

Design & Comfort.



Looks as good as it feels.

With the Teramont, brawn and beauty coexist in a perfect marriage. Big and bold, it's also beautifully designed with purpose. Well balanced, comfortable, no complicated corners. Substantial, solid and firm, but not too aggressive. A vehicle that delivers on the promise of power and freedom – your home away from home.

17 cup holders

Coffee or tea? Why not both? Conveniently equipped with seventeen different cupholders, you can be sure there's always space for everyone's drink.

10-way power adjustable driver seat

Everyone's built differently. And with buttons that offer 10 ways to customize your individual seating position, achieving maximum comfort and good driving posture has never been easier – or more fun.

LED headlights

Uniquely styled LED headlights with signature daytime running lights are quick to turn heads. Brighter, bolder, more daring – and more energy efficient.

Panoramic sunroof

It's a big world. Take it all in, with the available panoramic sunroof offering sweeping vistas for all. Plus, enjoy a breath of fresh air and slide or tilt the sunroof open with just the touch of a button.

Ventilated front seats

It's not just all the legroom that makes the front seats so comfortable. On hot days, this available feature can circulate air throughout the seat to help cool you down.

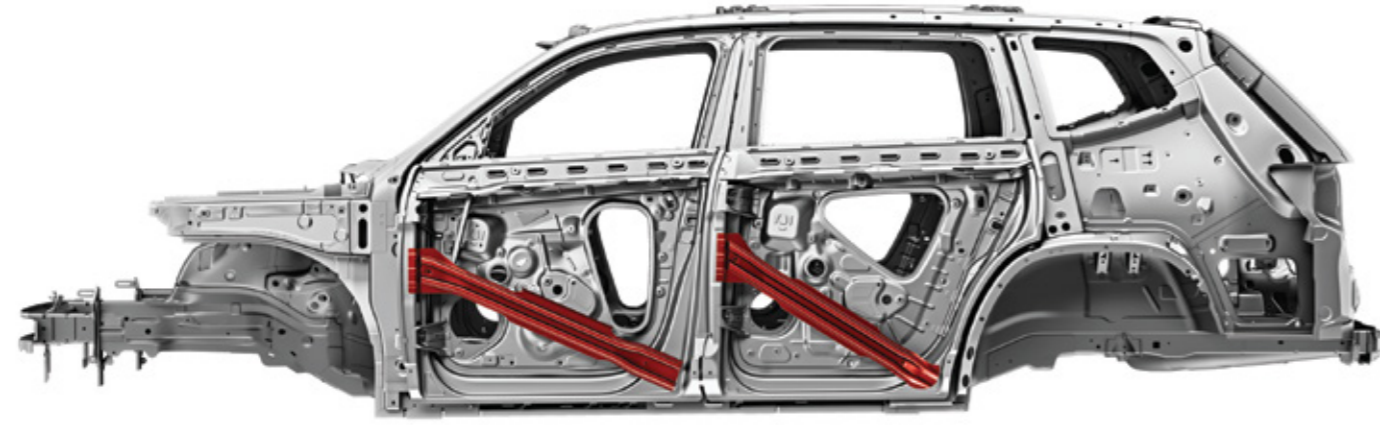
Climatronic® 3-zone AC

Too hot, too cold, or just right? Here, driver, front passenger, and folks in the back all get to choose their own temperature preferences. Even if the difference is as little as 0.5 degrees, proving individual comfort is no fairytale.

Interior ambient lighting

You'll feel like you've reached cruising altitude on a night flight, with ambient lighting that provides mellow, low-level illumination throughout the cabin.

Safety and Assistance Systems.



Didn't see that coming? Relax, it's a Teramont.

The Teramont offers a full arsenal of safety systems, and available driver assistance features to help combat the hidden perils of driving every day, even on those off-days. That's reassurance you can enjoy mile after mile, smile after smile.

* Driver assistance feature. Drivers must continue to perform manual checks and pay full attention to the road and safe driving at all times. Please review the owner's manual for feature limitations.

Safety cage

Front and rear crumple zones help absorb crash energy, while a rigid safety cage helps deflect it away from the driver and passengers.

Area View*

Get into even the most difficult parking spaces quickly and easily. Superimposed guidance lines, multiple viewing angles and optical warnings help you navigate more safely and accurately.

Park Distance Control and Park Assist*

The Park Distance Control feature has sensors that can help you back out of or drive into a parking spot. Audible signals and the optical parking system on the display indicate how much space you have behind and ahead of the vehicle.

The Park Assist can judge if a parking spot is big enough for your Volkswagen. Then it will help steer the vehicle into the space, either parallel or perpendicular. You operate the accelerator, brake and shifter; it does the rest.

Blind Spot Detection with Rear Traffic Alert*

When driving, if you attempt to change lanes, the Blind Spot Monitor can help alert you to cars that may be in your blind spot. Rear Traffic Alert comes in handy when you're backing up. It has sensors that can alert you to vehicles crossing in your path when in reverse, and can even help brake the vehicle if needed.

Automatic post-collision braking system*

In the event of an unforeseen accident, you may not be able to react instantly, but the Teramont can.

Seatbelts are automatically tightened, and emergency braking is deployed to help prevent further accidents.

Adaptive Cruise Control with Stop & Go*

Free your mind – and your feet. Cruising in traffic is a breeze, with automatic braking when things slow down. And when traffic clears ahead, it accelerates back up to your set cruising speed with just a tap on the pedal.**

* Features are for driver assistance. Drivers must continue to perform manual checks and pay full attention to the road and safe driving at all times. Please review the owner's manual for feature limitations.

**In emergency situations, it is still necessary to apply the brakes manually.



Performance.



Discovering more of what's out there starts right here.

You and your family want to do more. So you need a vehicle with just that. More traction for the road less travelled. More control for those tricky situations. And more power and manoeuvrability to get where you're going confidently. Expect nothing less.



2.0L TSI & 3.6L V6 FSI Engine

Dial up the adventure and turn it into a veritable power trip, with the choice of either 2.0L TSI or 3.6 FSI V6 engine. Throaty, peppy, zippy and downright fun.

4MOTION® with Active Control

Even the most adventurous among us need a little stability. Get it, with 4MOTION® Active Control. Simply select your choice of four driving modes with on screen menus and a rotary dial/push button for supreme control and stability.

8-speed automatic transmission with Tiptronic®

Master the realms of performance and efficiency. With Tiptronic®, you get the convenience of an automatic, with the hands-on sportiness of a manual transmission, coupled with 8 speeds of fuel-sipping savings.

Drive Mode Selector

Start with the already-intuitive Volkswagen 4MOTION® All-Wheel Drive system, and select your mode to suit your driving mood. You'll enjoy a range of expandable options for optimum driving comfort, performance and handling on or off-road.

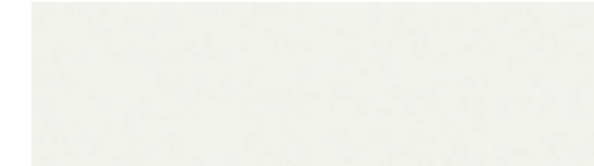
R-Line.



The Teramont R-Line pays tribute to Volkswagen's signature style of effortlessly blending design and practicality. The exterior catches eye with grille, chrome bars and black matte insert, giving it an air of unmistakable presence on the road. The sporty, body coloured bumper, with glossy black air inlets decorate the front and the rear. A chrome strip on the lower door panel, and the distinctive R-Line badge on the side, emphasizes the 'sport' in SUV. The R Line Alloy wheels (20" Sebring or 21" Suzuka) make the Teramont R-Line stand tall and proud.

Paint, Wheels & Upholstery.

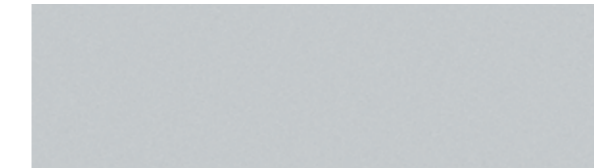
EXTERIOR COLORS



Pure White



Fortana Red Metallic



Reflex Silver Metallic



Tourmaline Blue Metallic



Deep Black Pearl



Platinum Gray Metallic

WHEELS



18" Prisma



20" Sebring for R-Line

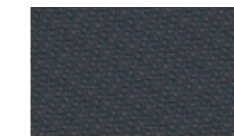


20" Mejorada



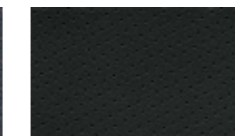
21" Suzuka for R-Line

INTERIOR CLOTH

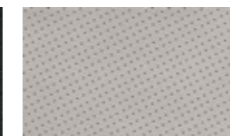


Titan Black

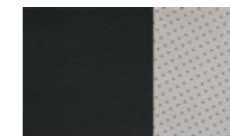
INTERIOR V-TEX LEATHERETTE



Titan Black

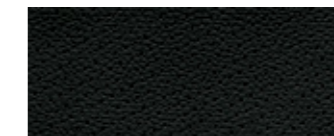


Shetland



Shetland and Black

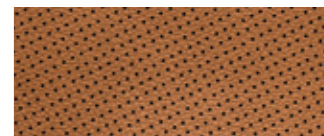
INTERIOR V-TEX LEATHERETTE



Titan Black



Shetland



Golden Oak

Not all combinations of exterior paint and interior seating surfaces are available.

Specifications.

	S 2.0	S 3.6	SE 3.6	SEL 3.6
Technical Specification				
Engine	2.0L TSI	3.6L FSI V6	3.6L FSI V6	3.6L FSI V6
Power output	220 PS	280 PS	280 PS	280 PS
Torque	350 Nm	360 Nm	360 Nm	360 Nm
Drive type	4Motion	4Motion	4Motion	4Motion
Transmission	8 Speed AT			
Dimensions				
Length	5,036 mm			
Width	1,989 mm			
Height	1,769 mm			
Wheelbase	2,979 mm			
Number of seats	7			
Luggage compartment volume	583 litres			
Alloy Wheels				
18" Prisma alloy wheels	✓	✓	✓	
20" Mejorada alloy wheels				✓
20" alloy wheels Sebring R-Line			◦	
21" alloy wheels Suzuka R-Line				◦
Exteriors				
LED headlights	✓	✓	✓	✓
LED daytime running lights	✓	✓	✓	✓
Silver roof rails	✓	✓	✓	✓
Tailgate with chrome strip	✓	✓	✓	✓
Body color - bumpers, door mirrors and door handles	✓	✓	✓	✓
Door mirrors, power, manual folding, with turn signal indicators	✓	✓		
Door mirrors, power, manual folding, with turn signal indicators and heated			✓	
Door mirrors, power, electric folding, with turn signal indicators, heated and memory function				✓
Window frame, stainless steel on upper window sill	✓	✓	✓	
Full window surround in stainless steel				✓
Fog lights with static cornering lights			✓	✓
Automatic headlights with homecoming/leaving function			✓	✓
Rear bumper, small chrome strips on outboard sides			✓	✓
Antenna, Diversity FM/AM	✓	✓	✓	✓

Interiors

	S 2.0	S 3.6	SE 3.6	SEL 3.6
8" Touch screen Composition Media with 8 speakers	✓	✓	✓	
8" Touch screen Discover Media with Navigation				✓
Fender premium audio with 12 speakers (5 front incl. centre, 4 2nd row, 2 rear, 1 subwoofer)				✓
Mirror Link/App Connect	✓	✓	✓	✓
Manual AC, air vents all 3 rows	✓	✓		
3 Zone Climatronic AC			✓	✓
Active seat ventilation (Front seats)				✓
Personalization	✓	✓	✓	✓
Rear view camera	✓	✓		
Rear view camera, compact with dynamic parking guidance			✓	✓
Parking sensors, acoustic front and rear			✓	✓
Panoramic sunroof			✓	✓
Driver's 10 way power seat with 3 configuration memory			✓	✓
Front passenger 8 way power seat			✓	✓
Armrest, front centre	✓	✓	✓	✓
Power door locks, two remote transmitters	✓	✓	✓	✓
Power windows, one-touch auto up/down on all four windows	✓	✓	✓	✓
Steering wheel, multifunction (audio, bluetooth, cruise controls)	✓	✓	✓	✓
Leather wrapped steering wheel	✓	✓	✓	✓
USB ports	1	1	4	4
Aux-in	✓	✓	✓	✓
Drive Mode selection with dial button	✓	✓	✓	✓
Instrument cluster "Colour"	✓	✓	✓	✓
Speed sensitive Electromechanical Power Steering	✓	✓	✓	✓
Manual tilt and telescoping steering column	✓	✓	✓	✓
Fabric seats	✓	✓		
Seat material, V-Tex leatherette			✓	
Vienna leather seating surfaces 1st and 2nd rows, 3rd row leatherette				✓
Decor IMD Metal look "New Brushed" MATTE in dash and front doors	✓	✓		
Decor IMD Wood look "Makotish" MATTE in dash and front doors			✓	
Decor IMD Wood look "Birch Brown" MATTE in dash and front doors				✓
Sun shade 2nd seat row, driver's and passenger side			✓	✓
Wipers, rain sensing			✓	✓
Keyless access with push-button start (Kessy)			✓	✓
Ambient lighting, dash and door decors, cup holder front				✓
Captain's chair (2nd Row)				◦

Volkswagen Service Excellence

With every part, every corner, every aspect of your car taken care of every day, we'll make sure you can continue doing what you really love: Driving your Volkswagen.

At Volkswagen, we promise to deliver the ultimate vehicle ownership experience through ensuring top quality of our products, continuous training of our experienced personnel; putting customer satisfaction at the core of everything we do while providing uninterrupted mobility.

THE VOLKSWAGEN SERVICE PACKAGE:

With the Volkswagen Service Package, you can now enjoy servicing your new Volkswagen in any authorized Volkswagen Service Center, free of charge for three years (45,000 km) as per Volkswagen's service schedule.

THE VOLKSWAGEN QUALITY:

Volkswagen Quality means that our customers receive the most innovative and reliable vehicles at an affordable price. But quality doesn't end here. With our skilled team of certified employees that welcome you to our service centers, we offer you only the best service using the latest Volkswagen approved tools.

THE VOLKSWAGEN EXTENDED WARRANTY*:

Volkswagen Extended Warranty offers you up to five years extended warranty with unlimited mileage. Moreover, you may benefit from an enhanced vehicle resale value, since the Volkswagen Extended Warranty is transferable and valid across the Middle East.

THE VOLKSWAGEN MOBILITY*:

When buying a new vehicle, you want to be mobile 365 days a year. At Volkswagen, we ensure you are. Our Roadside Assistance offers a dedicated 24hr emergency number and free breakdown assistance whenever and wherever you need it.

For further information and to inquire about the latest available products and services, please refer to your local Volkswagen Dealer.

*Terms and conditions apply.

	S 2.0	S 3.6	SE 3.6	SEL 3.6
Assistance Systems and Safety				
Multi collision brake	✓	✓	✓	✓
Collision warning (Front Assist) and city emergency braking system				✓
Airbags- dual front, side front & curtain all 3 rows	✓	✓	✓	✓
TPMS (tire pressure monitoring system)	✓	✓	✓	✓
Blind spot detection with rear cross traffic alert			✓	✓
Park Assist				✓
Cruise control	✓	✓	✓	✓
Adaptive Cruise Control				✓
Area View				✓
Liftgate, virtual pedal «easy open»			✓	✓
Light Assist, high beam assist, auto on/off				✓
R-Line Exterior & Interior*				
Grille with chrome bars with R-Line logo and black matte insert			○	○
Bumper with sporty design body colored with air inlets black glossy front and rear			○	○
Lower door panel, plastic, body colored with with chrome strip			○	○
Design element on the side with R-Line badge			○	○
Multifunctional steering wheel, leather Nappa with chrome insert and R-Line logo			○	○
Composition Media and Discover Media with R-Line logo display			○	○
Pedal caps, stainless steel			○	○

✓ Standard

○ Optional

* R-Line package has certain restrictions on standard features. Please contact your nearest dealer for more information.



The all new Teramont

 VolkswagenME

 VWMiddleEast

 VolkswagenME

 VolkswagenMiddleEast

The images, specifications/technical data, coloring, interior design in respect to the pictured vehicles are correct as of the printing date of this brochure but are for illustration purposes only. However, such information is subject to change at any time and customers should inquire from Volkswagen dealers in the relevant country for the most up to date specifications for each vehicle in their country as features and specifications may vary depending on packages available in each market.

تيرامونت الجديدة كلياً





سبعة مقاعد. سعادة أكبر للجميع.

فرحة الصغار. راحة الكبار. معدات الرياضة. عدة التخيم... كل هذا والكثير غيره مما يجعل الحياة أكثر متعة تجده في سيارة تيرامونت الجديدة كلياً، أكبر وأحدث سيارات فولكس واجن في الأسواق. تتسع تيرامونت لسبعة أشخاص موزعين بشكل مريح على ثلاثة صفوف، وتؤمن وصول كافة ركابها إلى أحدث ما توصل إليه عالم التكنولوجيا من تقنيات، وتأتيك بمجموعة متنوعة من الميزات التي تساهم في تعزيز الأداء مثل نظام الدفع الرباعي 4Motion®. كل هذه المواصفات الاستثنائية تأتي مغلفة بمظهر خارجي استثنائي يجعلها تبرز بين نظيراتها من سيارات الدفع الرباعي الرياضية SUV، وبتكلفة لا تُصدق بالنسبة إلى سيارة بروعتها. رشيقة، متألقه، باهرة، وتشعر وأنت تقودها وكأنك تحظى بخدمة كبار الشخصيات من دون أن تدفع أكثر من اللازم.

المرونة وتعدد المهام

تتكيف تيرامونت مع كل الظروف والطرق وكأنها أعجوبة تسير على عجلات، فمرونتها تجعلها تتأقلم مع كل أوضاع الحياة. رقه عن نفسك، واحزم أمتعتك واستعد للانطلاق في رحلة عائلية كلها فرح ومتعة.

الأداء

يقولون حجم أكبر يعني حركة أبطأ... لكن سيارة تيرامونت، التي لها من اسمها نصيب، تقلب المفاهيم، ففيها من القوة والعزم ما يجعلها قمة في السرعة والرشاقة بالرغم من حجمها الكبير.

الأمان

ما الذي يمكن أن يتفوق على سيارة دفع رباعي قادرة على القيام بكل شيء؟ سيارة جاهزة فعلياً لمواجهة أي عارض أو طارئ، مع الكثير من ميزات الأمان التي يشملها تصميم السيارة لحماية السائق والركاب، أصبح بإمكانك الاستمتاع بأجواء المرح وأنت مطمئن أن تيرامونت تأخذ على عاتقها مسؤولية حمايتك أنت وعائلتك بكل جدية.

التصميم والراحة

الراحة والمساحة تتناغمان بكل جمالية في هذه التحفة التي تأتيك بسبعة مقاعد. تضم في داخلها 17 حامل كؤوس، ويحظى ركابها بسهولة الوصول إلى صف المقاعد الثالث لتصبح أي حالة خروج طارئة أو متكررة، كالتي تحصل في النزاهات العائلية، أمراً مريحاً للغاية.

التكنولوجيا

دعونا نلقي نظرة على تجسيد فولكس واجن لمفهوم السيارة الرياضية بأحدث أشكاله. تفضل إلى عالم التكنولوجيا الحديث واستمتع بنظام فندر Fender Audio System الصوتي مع 12 مكبر صوت، وشاشة لمس HD عالية الدقة مقاس 8 بوصة خاصة بنظام الملاحة، ونظام التوصيل App Connect.



مساحة زائدة للتحميل بفضل ميزة الطي الكامل

هل يمكن التعامل مع سيارة تيرامونت العائلية الراقية كشاحنة صغيرة تستوعب أقصى حد من الحمولة؟ مع ميزة الطي الكامل لمقاعد الصفين الثاني والثالث الجواب هو «أكيد نعم».



وصول مريح وسهل إلى صف المقاعد الثالث

أصبح الوصول إلى صف المقاعد الثالث غاية في السهولة مع تيرامونت، حتى أنه أصبح بالإمكان فعل ذلك باستخدام يد واحدة. فقط قم بطي المقعد الثاني إلى الأمام بحركتي سحب ودفع.



مقاعد الكابتن في الصف الثاني اختيارية

بإمكانك تغيير سعة السيارة من 7 إلى 6 ركاب وكسب مساحة مريحة للغاية تستخدمها كما تشاء، وذلك بفضل مقاعد الكابتن المتوفرة في الصف الثاني. حيث بإمكان الركاب تعديل مسند الظهر ومسند الذراع ومساحة الأرجل بأي شكل يناسبهم. تحريك مقاعد الأطفال.



3 صفوف و7 مقاعد

في تيرامونت لا تأتي الراحة والمرونة في المرتبة الأخيرة، لكنها تتوفر في صف المقاعد الأخير، خاصة إذا أخذنا في الاعتبار مقاعد الصف الثالث للركاب البالغين، والتي يسهل الوصول إليها من دون تحريك مقاعد الأطفال.

المرونة.



قد لا يعني التباعد بين المقاعد وجود مساحة كافية للتمدد. لكن تيرامونت تمنحك هذه الميزة أيضاً.

بإمكان سيارة تيرامونت أن تتأقلم لتلبي كافة المتطلبات مهما تنوعت وبلغم البصر، من مساحة واسعة للأرجل إلى وصول سهل ومريح إلى صف المقاعد الثالث. ذلك أنك حين لا تضطر لترك أي شخص أو شيء وراءك يصبح بإمكانك الاستمتاع بكل مغامرة تنتظرك على الطريق.

التكنولوجيا.



بتطور تقنيات الاتصال نمضي إلى الأمام.

أينما كان موقعك داخل تيرامونت وأينما سارت بك، ستكون على اتصال دائم بكل ما يهملك. ما عليك سوى توصيل القابس لتدخل هذا العالم الغني بوسائل الترفيه والراحة والأمان، وتتنقل بكل سهولة ويسر بين أعمالك ووسائل ترفيهك. هذا كله جزء من مجموعة كاملة من السحر الإلكتروني الذي سخر لك ليمنحك تجربة مذهلة في كل مغامرة تقوم بها.

* لا تقد أبداً وأنت مشوش الفكر وشارد الذهن. على السائق تركيز كامل انتباهه على الطريق والقيادة بأمان في كافة الأوقات.

برنامج توصيل App-Connect *

قم بتوصيل هاتفك الذكي المتوافق مع Apple CarPlay™ أو Android Auto™ أو MirrorLink® للوصول إلى التطبيقات عبر شاشة لوحة أجهزة القياس أو الأوامر الصوتية للقيام بعمليات البحث التي تريدها أو تشغيل الموسيقى أو تصفح الإنترنت أو إرسال واستقبال الرسائل النصية، وذلك من دون الحاجة إلى استخدام اليدين.

نظام Discover Media للملاحة

تتميز سيارة تيرامونت بتكنولوجيا تُشعرك بلمسة تطور فائقة، حيث يتميز نظام الملاحة فيها بشاشة لمس كبيرة صقيلة وذات دقة عالية HD مقاسها 8 بوصة، والتي تملك ميزة التحكم من خلال الأوامر الصوتية، وأجهزة استشعار للاقتراب، وإمكانية توصيل عدة هواتف ذكية متوافقة.

التخصيص: 4 وضعيات قيادة

ما أن تقوم بتشغيل سيارة تيرامونت حتى ترحب بك بالاسم، لتبدأ بعد ذلك بتفعيل أوضاع المرايا وأنظمة التحكم بالمناخ حسب الوضعيات التي اخترتها سابقاً، هذا بالإضافة إلى تشغيل محطات الإذاعة المفضلة لديك وغيرها الكثير من الميزات. هل يقوم أكثر من شخص بقيادة السيارة؟ بسيطة! إذا تحفظ تيرامونت التفضيلات الخاصة بثلاثة سائقين وضيف واحد، وكلها مخصصة بالكامل لتلبي احتياجاتهم الخاصة.

التصميم والراحة.



الإضاءة الداخلية المحيطة

تمنحك الإضاءة المحيطة التي توفر إنارة خفيفة منخفضة المستوى في كافة أرجاء المقصورة شعوراً يشبه شعورك وأنت تحلق فوق السحاب في رحلة طيران ليلية.

نظام تكييف الهواء Climatronic® ثلاثي المنطقة

الطقس حار جداً؟ أم بارد جداً؟ أم أنه يناسبك تماماً؟ مع تيرامونت يتمتع السائق وركاب المقاعد الأمامية والخلفية بالقدرة على اختيار درجات الحرارة التي يفضلها كل منهم على حدة، وذلك حتى لو كان الفرق في درجة الحرارة لا يتجاوز 0.5 درجة، لتثبت تيرامونت بذلك أن توفير الراحة الخاصة بكل راكب بالطريقة التي تناسبه ليست مجرد حكاية خيالية.

مقاعد أمامية مع ميزة التهوية

لا تقتصر الراحة التي يتمتع بها ركاب المقاعد الأمامية على المساحة الواسعة المخصصة للأرجل فحسب، إذ تتمتع هذه المقاعد أيضاً بميزة التهوية الرائعة التي تعمل على تدوير الهواء عبر المقاعد لتساعد على تبريد الركاب في الأيام الحارة.

فتحة سقف بانورامية

املأ عينيك بجمال العالم من حولك مع فتحة السقف البانورامية التي تمكنك من متابعة أجمل المشاهد التي ترافقك على طول الطريق. واملأ صدرك بنسمات الهواء المنعش بمجرد أن تقوم بفتح أو إمالة فتحة السقف بلمسة زر.

مصابيح بتقنية LED

تتميز المصابيح الأمامية بتقنية LED بتصميمها الفريد، أما المصابيح النهارية الجارية الخاصة بسيارة تيرامونت فلها أن تلفت الأنظار إليها بسرعة. هي أكثر سطوعاً، أكثر جراً، وأكثر توفيراً للطاقة.

مقعد السائق قابل للتعديل كهربائياً بعشر وضعيات

تختلف بنية كل شخص عن الآخر، لكن مع وجود أزرار تمنحك 10 وضعيات مختلفة لتخصص بها مقعدك المنفرد أصبح الحصول على أعلى درجات الراحة وأفضل وضعية جلوس للقيادة أكثر سهولة وممتعة من أي وقت مضى.

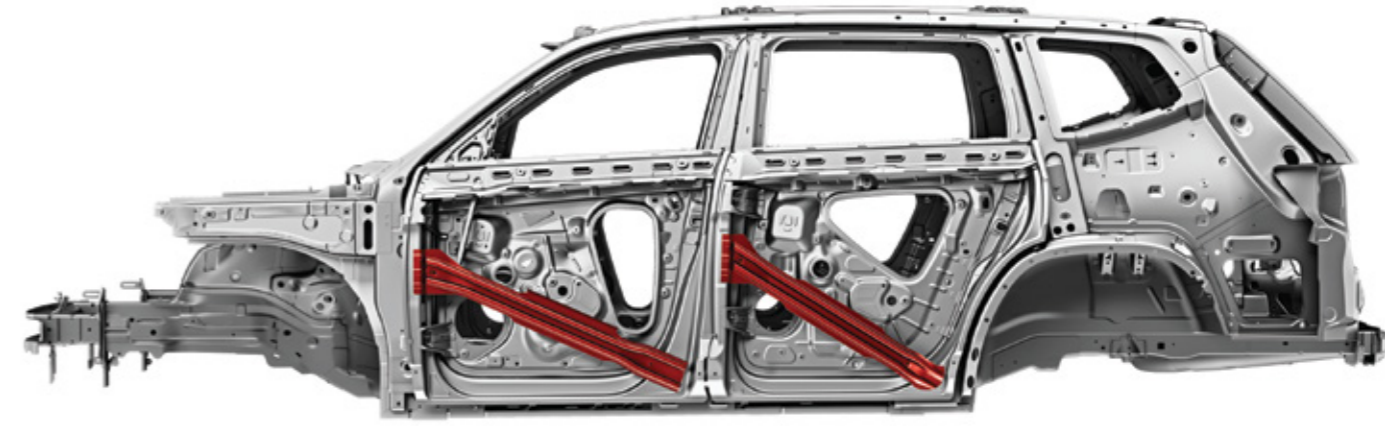
17 حاملاً للكؤوس

قهوة أم شاي؟ أم كليهما معاً؟ تضم السيارة 17 حامل كؤوس بأحجام مختلفة لتضمن بذلك توفر مكان لمشروبات كل الركاب بشكل دائم.

شعور الراحة فيها يضاهي جمالها.

تجسد سيارة تيرامونت حالة تناغم مثالية بين قوة الأداء والمظهر الأخاذ. ضخمة الحجم، جريئة، جميلة التصميم، بديعة المنظر، وكل هذا بشكل مدروس ومتقن. متوازنة بصورة مثالية ومريحة وخالية من الزوايا المعقدة. تشعر فيها بالفخامة والصلابة والثبات. هي سيارة تمنحك القوة والحرية، وتشعرك بأنك في بيتك وأنت بعيد عنه.

الأمان وأنظمة المساعدة.



هل صادفك أمر طارئ لم تتوقع حدوثه؟ لا يهم، فأنت تقود تيرامونت.

تمنحك تيرامونت مجموعة كاملة من أنظمة الأمان وميزات مساعدة السائق لتكون عوناً لك في تجاوز المخاطر التي تخبئها لك رحلات القيادة اليومية، حتى في تلك الأيام التي لا يسير فيها شيء على ما يرام. وذلك لنضمن لك تجربة ممتعة في القيادة لتكبر ابتسامتك كلما طالت رحلتك.

قفص الأمان

تساعد مناطق الحماية من الصدمات الأمامية والخلفية على امتصاص قوة الاصطدام، فيما يعمل قفص الحماية الصلب على حرف مجال الصدمة بعيداً عن السائق والركاب.

الرؤية المحيطة*

أصبح بإمكانك ركن سيارتك في أكثر الأماكن صعوبة بسهولة وسرعة فائقتين، إذ تتيح لك خطوط التوجيه المركبة وزوايا الرؤية المتعددة ووسائل الإنذار المرئية التنقل بكل أمان ودقة.

ميزة التحكم بمسافة الركن ونظام مساعد الركن*

تساعدك ميزة التحكم بمسافة الركن بوجود أجهزة الاستشعار على مغادرة موقف السيارة أو دخوله بسهولة. حيث تدل الإشارات الصوتية ونظام الركن المرئي على شاشة العرض إلى المساحة المتوفرة للركن خلف السيارة وأمامها. بإمكان نظام مساعد الركن تحديد ما إذا كانت مساحة الركن كافية لتتسع لسيارة فولكس واجن التي تقودها. بعدها سيقوم بمساعدتك على توجيه المركبة لتدخل ضمن المساحة المخصصة للركن سواء أكانت موازية أم عمودية. ما عليك سوى تشغيل المسرع والمكابح وناقل الحركة، وهو سيتكفل بباقي الخطوات.

كشف النقطة العمياء مع التنبيه لحركة المرور الخلفية*

عندما تحاول تغيير مسارك أثناء القيادة تنبهك شاشة كشف النقطة العمياء في حال وجود سيارات تحول النقطة العمياء دون رؤيتك لها. أما ميزة التنبيه لحركة المرور الخلفية فهي مفيدة جداً في حال قيادة السيارة بوضعية الرجوع إلى الخلف، حيث تقوم أجهزة الاستشعار بتنبيهك في حال وجود مركبات تعترض طريقك وأنت في وضعية الرجوع، وهي ميزة مفيدة أيضاً في كبح السيارة إذا ما تطلب الأمر.

نظام الكبح الأوتوماتيكي ما بعد الاصطدام*

قد لا تتمكن في حال حصول حادث غير متوقع من القيام برد الفعل

المناسب بالسرعة المطلوبة، لكن تيرامونت تتمكن من ذلك، إذ تقوم بشد أحزمة الأمان بشكل أوتوماتيكي وتفعيل مكابح الطوارئ لتفادي حدوث اصطدامات أخرى.

نظام التحكم التكيفي بالسرعة مع ميزة التوقف والانطلاق*

حرر عقلك وقدميك من العبء وتمتع بسهولة القيادة في الازدحام المروري مع ميزة الكبح الأوتوماتيكي عند تباطؤ حركة السيارة، والتسارع وصولاً إلى سرعة القيادة التي حددتها عند عودة السير إلى حركته الطبيعية، وذلك بمجرد قيامك بنقرة واحدة على الدواسة**.

* ميزات مساعدة السائق. يجب على السائقين القيام بالفحوص اليدوية وتركيز كامل انتباههم على الطريق والقيادة بأمان في كافة الأوقات. الرجاء مراجعة دليل المالك للإطلاع على تخصيص الميزات.

** لا يزال استعمال المكابح يدوياً أمراً ضرورياً في حالات الطوارئ.

الأداء.



اكتشاف المزيد من العالم يبدأ هنا.

إذا كنت تطمح إلى القيام بالمزيد من النشاطات العائلية فأنت تحتاج إلى سيارة تلبى احتياجاتك وتشارك المهام. ثبات أعلى على الطرقات غير المطروقة، سيطرة أقوى في المواقف الحرجة، والمزيد من القوة والقدرة على المناورة تمكنك من الوصول إلى هدفك بثقة أكبر. لا ترصّ بأقل من ذلك.

محرك TSI سعة 2.0 لتر ومحرك FSI سعة 3.6 لتر مع 6 صمامات

اجعل من رحلتك مغامرة تزر بالطاقة والقوة مع اختيارك واحداً من محركين: 2.0 لتر TSI أو 3.6 لتر FSI مع 6 صمامات. محركات مميزة بصوتها الهادر ورشاققتها ونشاطها ومتعة استخدامها.

دفع رباعي مع نظام تحكم

حتى أكثر الناس شغفاً بالمغامرات يحتاجون إلى بعض الثبات. مع نظام التحكم بالدفع الرباعي أصبح بإمكانك الحصول على الدثنين معاً. ببساطة قم باختيار إحدى وضعيات القيادة الأربع باستخدام قوائم معروضة على الشاشة وزر الضغط أو القرص الدوار للحصول على أعلى مستويات الثبات والتحكم.

ناقل حركة أوتوماتيكي بثمانى سرعات مع نظام Tiptronic®

التفوق في كافة مجالات الأداء والكفاءة. يمنحك نظام Tiptronic® السهولة التي يتميز بها الناقل الأوتوماتيكي، ومتعة استخدام اليدين التي يمنحك إياها الناقل اليدوي، مرفقة بثمانى سرعات تساهم في توفير استهلاك الوقود.

محدد وضع القيادة

ابداً بتشغيل نظام الدفع الرباعي للقيادة من فولكس واجن 4MOTION® والذي يتمتع بقدرة تلقائية مسبقة، ثم قم باختيار الوضع الذي يناسب مزاجك في قيادة السيارة لتستمتع بمجموعة واسعة من الخيارات التي تمنحك راحة قصوى أثناء القيادة، وأداءً أمثل، وقدرة أفضل على التعامل مع الطرقات الوعرة والمعبّدة.

R-Line.

الطلاء والعجلات والبطانة.

الألوان الخارجية



العجلات



سيبرينج قياس 20 لطرارز R-Line

بريسما قياس 18

سوزوكا قياس 21 لطرارز R-Line

ميجورادا قياس 20

بطانة داخلية من الجلد الصناعي المحسن V-TEX

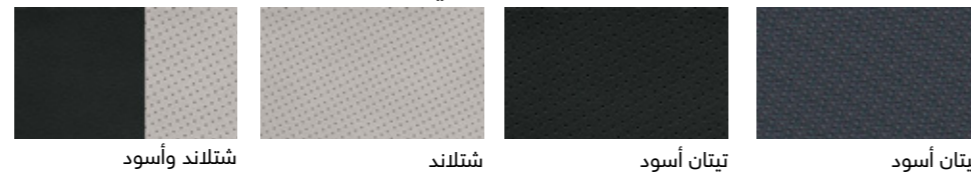


ذهبي سندياني

شتلاند

تيتان أسود

بطانة داخلية من الجلد الصناعي المحسن V-TEX



شتلاند وأسود

شتلاند

تيتان أسود

تيتان أسود

ليس بالضرورة توفر كل التركيبات الخاصة بالطلاء الخارجي وأسطح المقاعد الداخلية في الأسواق.



تجسد سيارة تيرامونت R-Line شخصية فولكس واجن الخاصة بها والمعروفة بتميزها وقدرتها على الجمع بين روعة التصميم وقوة الأداء بكل انسيابية وبراعة. ما إن تراها حتى بأسرك مظهرها الباهر الذي يتبدى في شبكتها الأمامية وقضبانها المصنوعة من الكروم وحشواتها السوداء الكامدة التي تمنحها حضوراً يفرض هيئته على الطرقات. يمنح المصد الرياضي الذي يأتي بلون الهيكل وفتحات التهوية بلونها الأسود اللامع تيرامونت بريقاً يبهج من يراها من الأمام والخلف، أما شرائط الكروم على لوح الباب السفلي وشعار R-Line المميز على الجانب فيُبرزان ملامحها الرياضية. بينما تساهم عجلات R-Line السبيكية من نوع سيبرينج قياس 20 بوصة ونوع سوزوكا قياس 21 بوصة في منح تيرامونت R-Line حضوراً طاغياً على الطرقات.

المواصفات التقنية.

SEL 3.6	SE 3.6	S 3.6	S 2.0
---------	--------	-------	-------

المحرك	2.0 لتر TSI	3.6 لتر FSI بستة صمامات	3.6 لتر FSI بستة صمامات
مردود الطاقة	220 حصان	280 حصان	280 حصان
العزم نيوتن متر	350 نانومتر	360 نانومتر	360 نانومتر
نمط القيادة	دفع رباعي 4Motion	دفع رباعي 4Motion	دفع رباعي 4Motion
الناقل	ناقل حركة أوتوماتيكي بثماني سرعات		

الطول	5.036 ملم
العرض	1.989 ملم
الارتفاع	1.769 ملم
قاعدة العجلات	2.979 ملم
عدد المقاعد	7
سعة مقصورة الأمتعة	583 لتر

عجلات سبيكية بريسما قياس 18 بوصة	✓	✓	✓
عجلات سبيكية ميجورادا قياس 20 بوصة	✓	○	○
عجلات سبيكية سبيرينج لطرز R-Line قياس 20 بوصة	○	○	○
عجلات سبيكية سوزوكا لطرز R-Line قياس 21 بوصة	○	○	○

مصابيح أمامية بتقنية LED	✓	✓	✓
مصابيح نهارية جارية بتقنية LED	✓	✓	✓
قضبان سقف فضية	✓	✓	✓
بوابة خلفية مزينة بشريط من الكروم	✓	✓	✓
مصدات ومرابيا وقبضات للأبواب بلون هيكل السيارة	✓	✓	✓
مرابيا أبواب قابلة للطى كهربائياً ويدوياً مع مؤشرات دوران	✓	✓	✓
مرابيا أبواب قابلة للطى كهربائياً ويدوياً مع مؤشرات دوران وميزة التدفئة	✓	✓	✓
مرابيا أبواب قابلة للطى كهربائياً ويدوياً مع مؤشرات دوران مع ميزة التدفئة وميزة الذاكرة	✓	✓	✓

الخصائص التقنية

المقصورة الداخلية

إطارات للنوافذ من الستينلس ستيل على حواف النوافذ العليا	✓	✓	✓
طوق من الستينلس ستيل يحيط بشكل كامل بالنوافذ	✓	✓	✓
مصابيح ضباب مع مصابيح انعطاف ثابتة	✓	✓	✓
مصابيح أمامية أوتوماتيكية مع ميزة العودة/المغادرة	✓	✓	✓
مصد خلفي مع شرائط صغيرة من الكروم على الجوانب الخارجية	✓	✓	✓
هوائي Diversity يلتقط موجتي AM , FM	✓	✓	✓

شاشة لمس Composition Media قياس 8 بوصة مع 8 مكبرات صوت	✓	✓	✓
شاشة لمس Discover Media قياس 8 بوصة مع نظام ملاحه	✓	✓	✓
نظام فندر الصوتي الممتاز Fender premium audio مع 12 مكبر صوت (5 مكبرات أمامية تتضمن واحد في المركز، و4 مكبرات للصف الثاني، بالإضافة إلى مكبري صوت للصف الخلفي، مضخم صوت واحد)	✓	✓	✓
أنظمة توصيل Mirror Link/App Connect	✓	✓	✓
مكيف هواء يعمل يدوياً، فتحات تهوية لصفوف المقاعد الثلاثة	✓	✓	✓
نظام تكييف الهواء Climatronic ثلاثي المنطقة	✓	✓	✓
تهوية نشطة للمقاعد	✓	✓	✓
التخصيص	✓	✓	✓
كاميرا الرؤية الخلفية	✓	✓	✓
كاميرا الرؤية الخلفية مدمجة مع دليل الركن الديناميكي	✓	✓	✓
أجهزة استشعار للركن، مع إنذار صوتي خاص بالجهة الأمامية والخلفية	✓	✓	✓
فتحة سقف بانورامية	✓	✓	✓
مقعد سائق قابل للتعديل كهربائياً بعشر وضعيات مع ذاكرة تحتفظ بثلاث وضعيات مختلفة للمقعد	✓	✓	✓
مقعد راكب قابل للتعديل كهربائياً بثماني وضعيات	✓	✓	✓
مسند ذراع أمامي وفي الوسط	✓	✓	✓
أقفال كهربائية للأبواب مع جهاز إرسال عن بعد	✓	✓	✓
نوافذ كهربائية، إغلاق/فتح بلمسة واحدة للنوافذ الأربع	✓	✓	✓
عجلة قيادة متعددة الاستعمالات (مفاتيح التحكم الصوتي، بلوتوث، وضبط السرعة)	✓	✓	✓
عجلة قيادة مغلقة بالجلد	✓	✓	✓
منافذ لوصلة USB	1	1	4
منفذ Aux-in	✓	✓	✓
اختيار وضعية قيادة عبر ضغط زر التفعيل	✓	✓	✓
لوحة عدادات "بالألوان"	✓	✓	✓
توجيه كهربائي إلكترونيكي حساس للسرعة	✓	✓	✓
عمود توجيه تلسكوبي قابل للإمالة يدوياً	✓	✓	✓
بطانة من القماش للمقاعد	✓	✓	✓
بطانة من الجلد الصناعي المحسن V-TEX	✓	✓	✓
بطانة مقاعد من جلد فيينا للصفين الأول والثاني، بطانة من الجلد للصف الثالث	✓	✓	✓
مظهر معدني غير لامع لقوالب الزينة الداخلية "ناعم جديد New Brushed" في لوحة الانطلاق والأبواب الأمامية	✓	✓	✓
مظهر خشبي غير لامع لقوالب الزينة الداخلية "ماكوتيش Makotish" في لوحة الانطلاق والأبواب الأمامية	✓	✓	✓

خدمة فولكس واجن المتميزة.

إن اهتمامنا البالغ بكل أجزاء وتفصيل سيارتك، واعتناءنا بكل زاوية وجانب من جوانبها بشكل يومي هو طريقتنا في مساعدتك على الاستمرار في القيام بما تحب فعله: قيادة سيارتك من فولكس واجن.

التأمين الممدد من فولكس واجن:

يغطي التأمين الممدد من فولكس واجن مدة خمس سنوات مع عدد غير محدود من الأسيال. بالإضافة إلى إمكانية الاستفادة من ميزة تحسين قيمة إعادة بيع السيارة، نظراً لأن التأمين الممدد من فولكس واجن قابل للنقل وساري الفعالية في كافة أرجاء الشرق الأوسط.

التنقل مع فولكس واجن:*

عند شرائك سيارة جديدة فأنت تسعى لتلبية حاجتك في التنقل على مدار أيام السنة، وهذا بالضبط ما تضمنه لك سيارات فولكس واجن.

تستقبل مساعداتنا الطرقية كافة الاتصالات على رقم الطوارئ المكرس لخدمتكم 24 ساعة يومياً، كما تمنحك مساعدة مجانية في أي زمان ومكان يحدث فيه عطل ما في السيارة.

للحصول على مزيد من المعلومات وللإستفسار عن أحدث المنتجات المتوفرة يرجى التواصل مع موزع فولكس واجن المحلي.

*تطبق الشروط والأحكام

تعديكم فولكس واجن بمنحكم تجربة استثنائية لدى اقتنائكم واحدة من سياراتها، حيث أنها تضمن لكم الحصول على أفضل منتجات بأعلى جودة ممكنة إضافة إلى خدمات مميزة مع طاقمها الخبير الذي يتلقى تدريباً مستمراً؛ ومع وضع إرضاء الزبون أولوية قصوى في كل ما تقوم به، تسعى فولكس واجن لتقديم تجربة قيادة ممتعة وقادرة على التنقل دون أي حالة انقطاع.

باقة خدمات فولكس واجن:

مع باقة خدمات فولكس واجن أصبح بإمكانك الحصول على أفضل خدمة لسيارتك فولكس واجن الجديدة في أي مركز خدمة معتمد من فولكس واجن مجاناً لمدة ثلاث سنوات أو 45.000 كلم، وذلك وفقاً لجدول خدمة فولكس واجن.

جودة النوعية من فولكس واجن:

جودة فولكس واجن تعني حصول العملاء على أحدث وأقوى السيارات بأسعار مقبولة لكن الجودة لا تتوقف عند هذا الحد، حيث أن فريقنا الخبير المؤلف من كفاءات عالية يستقبلكم في مراكز خدماتنا ليقدم لكم أجود وأفضل الخدمات باستخدام أحدث الأدوات المعتمدة من فولكس واجن.

SEL 3.6	SE 3.6	S 3.6	S 2.0
✓			
✓	✓		
✓	✓		
✓	✓		
✓			
○			

✓	✓	✓	✓
✓			
✓	✓	✓	✓
✓	✓	✓	✓
✓	✓		
✓	✓		
✓	✓	✓	✓
✓			
✓	✓		
✓			
✓			
✓			
✓			
✓			
✓			

○	○		
○	○		
○	○		
○	○		
○	○		
○	○		
○	○		
○	○		
○	○		
○	○		

* تشمل باقة R-Line قيوداً معينة على الميزات المعيارية. يرجى التواصل مع أقرب موزع معتمد للحصول على المزيد من المعلومات

✓ معياري

○ اختياري



تيرامونت الجديدة كلياً

VolkswagenME 

VWMiddleEast 

VolkswagenME 

VolkswagenMiddleEast 

إن جميع الصور والمواصفات والبيانات التقنية والألوان وعناصر التصميم الداخلي في السيارات المصورة صحيحة بدءاً من تاريخ طباعة هذا البروشور لكنها لأغراض توضيحية فقط. لكن هذه المعلومات خاضعة للتغيير في أي وقت لذا يجب على العملاء الاستفسار من وكلاء فولكس واجن المعتمدين في دولهم عن أحدث التعديلات على مواصفات كل سيارة متوفرة في دولتهم نظراً لأن المواصفات والميزات قد تختلف تبعاً للبلاقات المتوفرة في كل سوق.